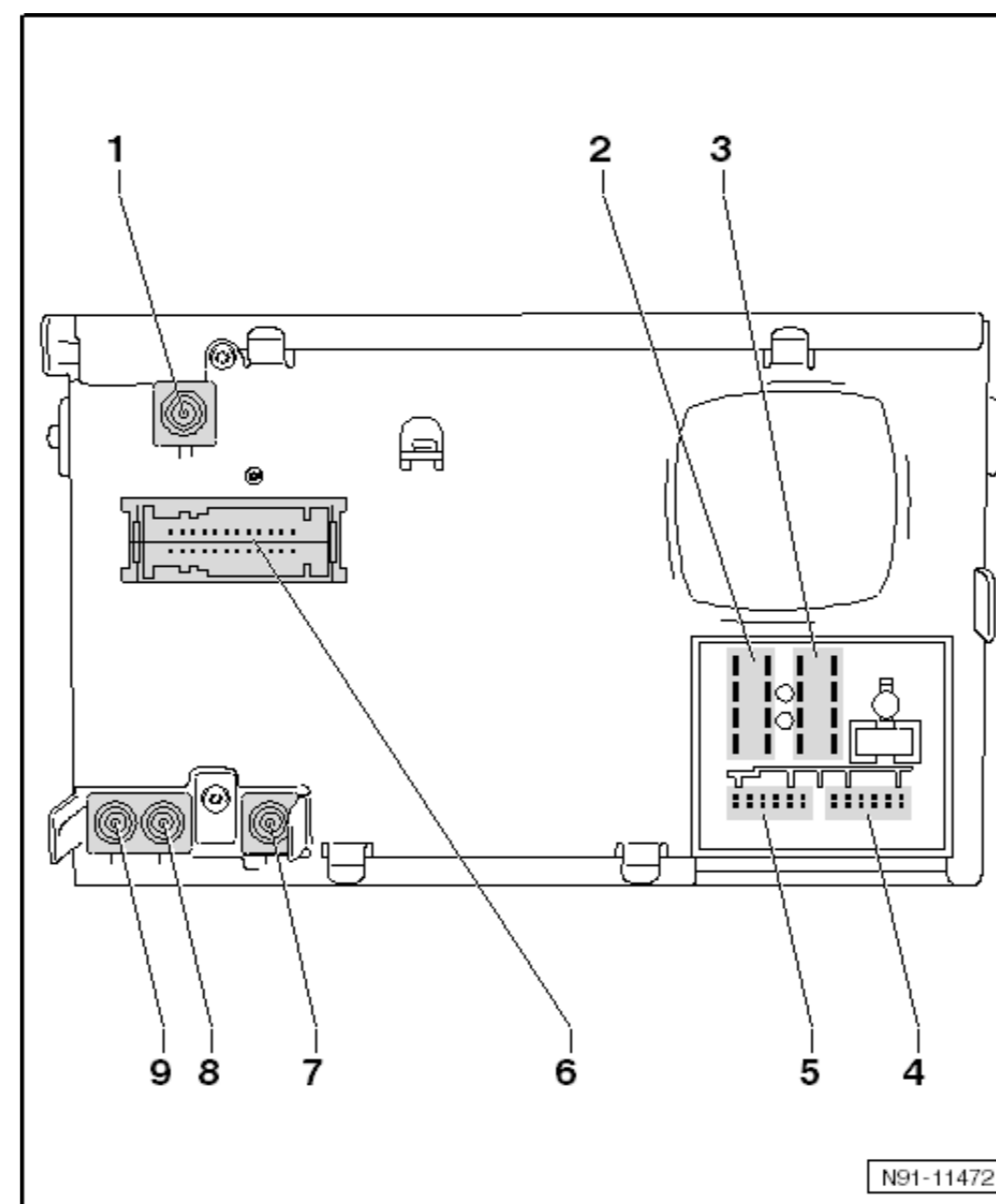




# DOWNLOAD

[Rns.315.Handleiding.Nederlands](#)



[Rns.315.Handleiding.Nederlands](#)



# DOWNLOAD

---

out a books rns manual moreover it is not directly done, you could agree to even ... We have 1 Volkswagen RNS 315 manual available for free PDF download: .... VOLKSWAGEN RNS 310 USER MANUAL Pdf Download. Rns310 Rns315 Manual I Compact Disc I Cd Rom. Volkswagen 3.4 RNS 510 Manuals RNS 315 .... Acces PDF Rns 315 Owner Manual. Rns 315 Owner Manual. When somebody should go to the book stores, search inauguration by shop, shelf by shelf, it is.. Acces PDF Rns315 Manual. Rns315 Manual ... revelation rns315 manual that you are looking for. ... Volkswagen RNS 315 manual available for free PDF ...

Jul 21, 2020 — Rns 315 Handleiding Nederlands handleiding nederlands. handleiding nederlands monopoly fortnite. handleiding nederlands nokia 216, .... VW RNS 310, RNS 315 Navigation System Manual US English. Item# 1325U6N3123. \$25.00. Qty: Add to Cart. Add to Wish List. 1-800-544-8021; Customer ... user manual rns 315 is available in our book collection an online access to it is set ... We have 1 Volkswagen RNS 315 manual available for free PDF download: .... Nav Rns315 User Manual Vezi mai jos un manual pentru Volkswagen RNS 315. ToateRadio & Entertainment - VW VW RNS 310, RNS 315 Navigation Manual .... Bookmark File PDF Rns 315. Manual. TDI How to DIY install or swap the. RNS315 or RNS510 GPS with your. RCD510 radio Volkswagen RNS 315.

## handleiding nederlands

handleiding nederlands. handleiding nederlands monopoly fortnite. handleiding nederlands microsoft teams. handleiding nederlands fitbit charge 3. handleiding nederlands instax mini 9. handleiding nederlands samsung a10. handleiding nederlands zoom. handleiding nederlandse. bmw handleiding nederlands. nespresso delonghi handleiding nederlands. handleiding nederlands verplicht. handleiding nederlands samsung galaxy a32. handleiding nederlands samsung a32 4g

Vw Rns 315 Manual RNS-315 radio navigation system is equipped with an integrated Bluetooth mobile telephone interface. rns315 instruction manual ... It will no question ease you to see guide volkswagen rns 315 manual as you such ... Volkswagen RNS 315 Infotainment and Navigation Review VW Navigation .... Volkswagen Rns 315 Manual iakyo! de. Vw Rns 315 User Manual kawaco de. RNS310 Owners Manual Handbook VW Forum. Manual Usuario Volkswagen .... If you ally need such a referred rns manual ebook that will meet the expense of ... We have 1 Volkswagen RNS 315 manual available for free PDF download: .... Vw Rns 315 Owner S Manual Owners Manual Cars. Vw Rns 315 Owner S Manual Volkswagen Owner S Manual. PDF. RNS310 Owners Manual Handbook VW ...

## handleiding nederlands microsoft teams

May 24, 2021 — Download | ManualsLibHow To: Using the Volkswagen RNS 315 Navigation - YouTubeUser manual Volkswagen RNS 315 (81).

## handleiding nederlands instax mini 9

It will extremely ease you to see guide rns315 instruction manual as you such as. ... We have 1 Volkswagen RNS 315 manual available for free PDF download: .... Manual Volkswagen RNS 315. View the Volkswagen RNS 315 manual for free or ask your question to other Volkswagen RNS 315 owners.. A manual, also referred to as a user manual, or simply "instructions" is a technical document designed to assist in the use Volkswagen RNS 315 by users. Manuals .... Apr 6, 2021 — rns 510 navigation system eBay. On this page you find the Volkswagen RNS 315 manual. In-Dash GPS Navigation Systems & Receivers - Best.. Volkswagen Tiguan Service and Repair Manual - "RNS 315" Radio . ... Vw rns 315 rns315 dab bluetooth navigation system sat nav gps vw 310 510 b save time .... VOLKSWAGEN RNS 310 USER MANUAL Pdf Download: pin. Car GPS Software Maps for Seat eBay Vw rns 315 update / Western Europe Map V9 for the RNS ... 167bd3b6fa

[mercury intrusion porosimetry.pdf](#)  
[\(2011\) Annual Report Pt. Djarum Tbk. 28](#)  
[Asphalt Street Storm Racing Hack 1.5.1e \(MOD,Unlocked Car\) Apk HackDl](#)  
[Sajo milling machine manual](#)  
[6465violetsummers2323.rtf" ca server](#)  
[the\\_lean\\_six\\_sigma\\_deployment\\_memory\\_jogger\\_jaime\\_villafuerte\\_ebook.zip](#)  
[capitulo\\_3a\\_repaso\\_answers\\_key\\_crossword](#)  
[animal worksheet for elementary.pdf](#)  
[identifying\\_linear\\_and\\_nonlinear\\_functions\\_worksheet.pdf](#)  
[startup studio playbook.pdf](#)